



G3 G3

UTILITY **ELECTRIC** VEHICLE

# DROPSIDE PICK UP



**100%** electric  
**0g** of CO<sup>2</sup>/km



## SPECIFICATIONS

- For the vehicle, refer to the chassis sheet
- Maximum payload on the deck from 500 up to 700 kg\*
- Removable floorboard, rot-proof and nonskid
- 3 opening sides

## OTHER VERSIONS

Canvas van



Wide dropside pick up



1,25m  
usable width

- Aluminium tubular structure
- 3 zips opening on rear side
- Rear view panel



\*according to the battery



G3 G3 **G3**

## DROPSIDE PICK UP

### OPTIONS



▼  
Cage

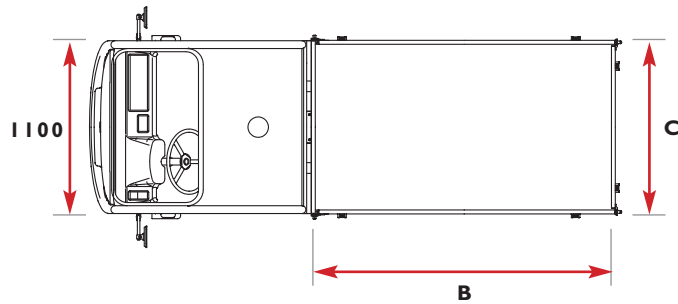
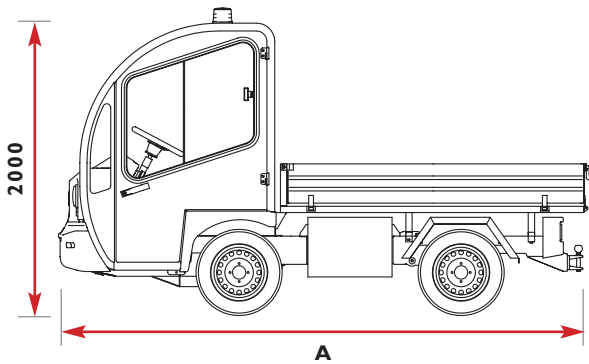


▼  
Net above cage



▼  
Canvas on cage

### DIMENSIONS



	Short version G3-S	Long version G3-L
	<b>Vehicle</b> Length (A) : 3 370 mm	<b>Vehicle</b> Length (A) : 3 870 mm
<b>Standard version</b>	<b>deck</b> Usable length (B) : 1 865 mm Usable width (C) : 1 035 mm Superficy : 1,93 m <sup>2</sup>	<b>deck</b> Usable length (B) : 2 365 mm Usable width (C) : 1 035 mm Superficy : 2,45 m <sup>2</sup>
<b>Wide version</b>	<b>deck</b> Usable length (B) : 1 865 mm Usable width (C) : 1 250 mm Superficy : 2,33 m <sup>2</sup>	<b>deck</b> Usable length (B) : 2 365 mm Usable width (C) : 1 250 mm Superficy : 2,96 m <sup>2</sup>

Non-contractual document. Possible modification without prior notice - 09-PF-UK-01